

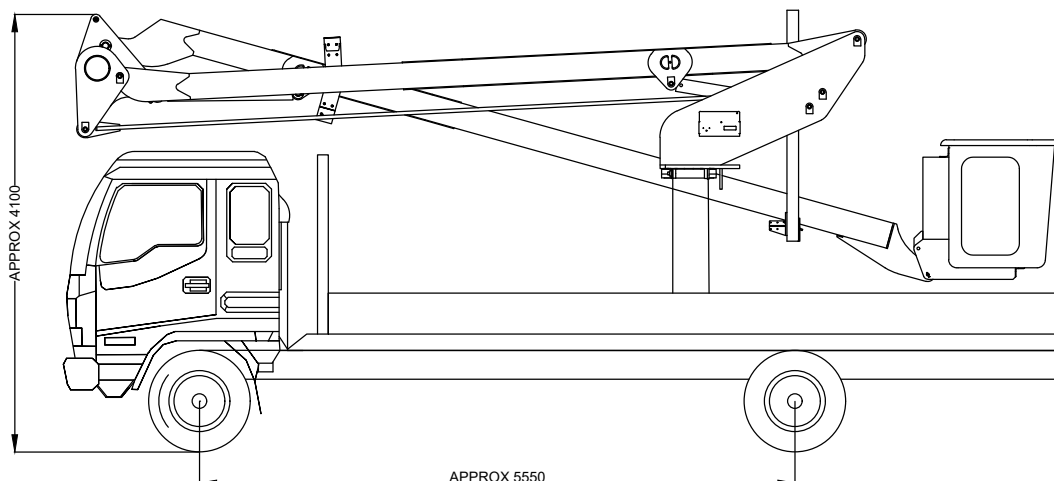
Specifications for SCE Aerial Platform

18 SS on a Single Cab 7 Ton Truck

18m | Side-by-side | 2 Man



**Our 18 SS has a 18m working height rated at 250kg SWL.
 It has a side reach of 7m (to edge of basket) at 12m working height.**



Typical Dimensions - actual dimensions are vehicle dependant.

References and Heritage

SCE has been designing and manufacturing Aerial Platforms since the 1970's - we are the Aerial Platform Experts.

The 18 SS is a Value for Money Solution - helping you get up and running as quickly as possible.

Our versatile design makes the 18 SS perfect for many applications, from electrical contracting to tree felling, and more!

SCE is ISO 9001:2015 accredited and the 18 SS has been designed and manufactured according to SANS 16368.

Smith Capital LME Registration #246.

As per OHS Act DMR18, all Aerial Platforms are required to be load tested annually.

Overview of Specifications

Working height	± 18 m
Bottom of floor height	± 16,5 m
Side reach to basket edge	7,5 m
Capacity SWL	250 kg
Number of jacks / type	4 / Vertical
Upper controls	Hyd. In-Basket
Lower controls	Turret
GVM (minimum)	13 000 kg



- Low maintenance unit, lower running costs for you.
- Leveling rods - maintains basket in level position for safety and ease of operation.
- Upper and lower control valves - we meet all current safety requirements as per laws in South Africa.
- Stabilizer outrigger jacks (4 per vehicle) fitted with interlocks - once again, your safety in emergencies.
- Emergency stop.
- "Dead man" type levers in basket prevents accidental movement.
- Designed and manufactured according to SANS 16368.
- Stop Start feature enabled in the basket.
- Full body safety harnesses supplied.
- Automatic grease lubrication system for slew bearing.

