

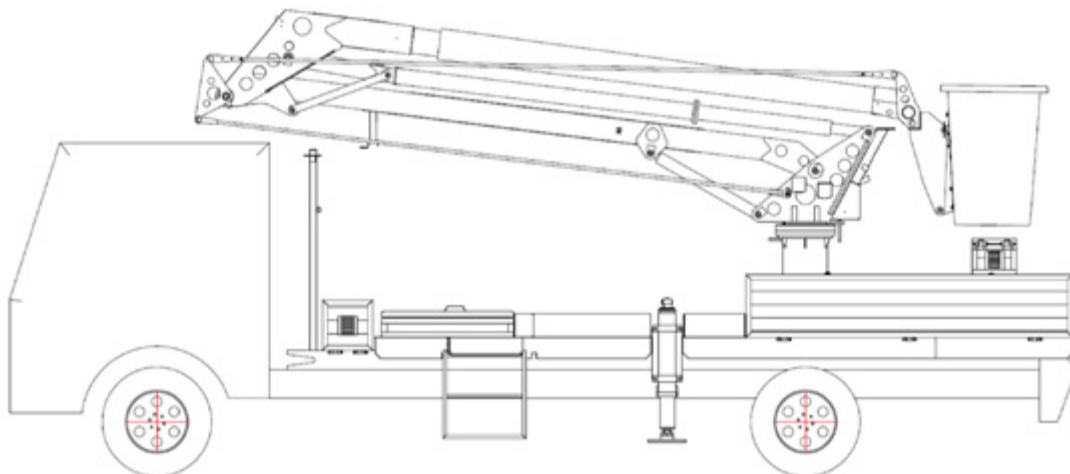
Specifications for SCE Aerial Platform

11 OUI on a Single Cab 7 Ton Truck

13m Light | 2 Boom | Insulated | 2 Man



Our 11OUI has a 13m working height rated at 250kg SWL.
It has a side reach of 6m (to edge of basket) at 8m working height.



Typical Dimensions - actual dimensions are vehicle dependant.

References and Heritage

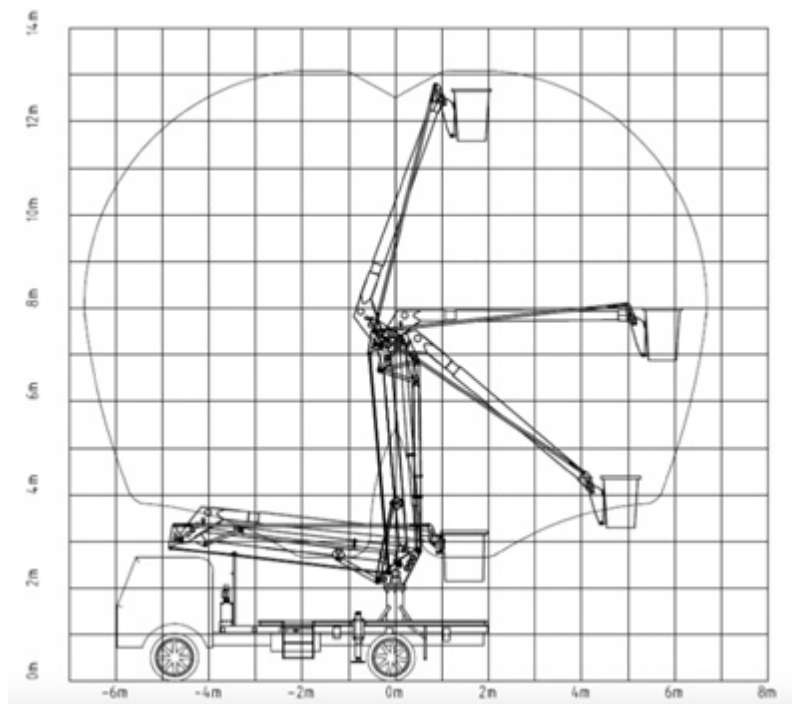
SCE has been designing and manufacturing Aerial Platforms since the 1970's - we are the Aerial Platform Experts. The 110UI is designed for work up to 44KV. Our versatile design makes the 110UI perfect for insulated gloving work and more! SCE is ISO 9001:2015 accredited and the 110UI has been designed and manufactured according to SANS 16368. Smith Capital LME Registration #246. As per OHS Act DMR18, all Aerial Platforms are required to be load tested annually.

Overview of Specifications

Working height	± 13 m
Bottom of floor height	± 11,5 m
Side reach to basket edge	6 m
Capacity SWL	250 kg
Number of jacks / type	4 / Vertical
Upper controls	Radio Remote
Lower controls	Turret
GVM (minimum)	13 000 kg



- Low maintenance unit, lower running costs for you.
- Leveling rods - maintains basket in level position for safety and ease of operation.
- Upper and lower control valves - we meet all current safety requirements as per laws in South Africa.
- Stabilizer outrigger jacks fitted with interlocks - once again, your safety in emergencies.
- Radio remote system.
- Designed and manufactured according to SANS 16368.
- Stop Start feature on radio remote.
- Automatic grease lubrication system for slew bearing.
- Insulated to 44 KV.



44 KV

