



A Proudly Level 2 Majority BWO BBBEE Company  
+27 11 873 9830 • www.smithcapital.co.za

a subsidiary of



ISIPHO CAPITAL  
HOLDINGS

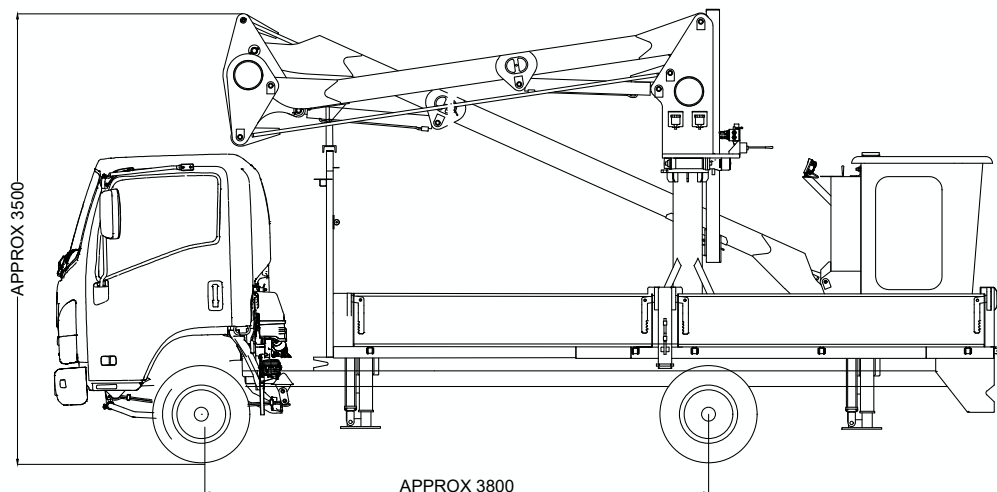
*Specifications for SCE Aerial Platform*

## 12 SSI on a Single Cab 4 Ton Truck

12m | Side-by-side | Insulated | 2 Man



Our 12 SSI has a 12,5m working height rated at 250kg SWL.  
It has a side reach of 5m (to edge of basket) at 8m working height.



Typical Dimensions - actual dimensions are vehicle dependant.

## References and Heritage

SCE has been designing and manufacturing Aerial Platforms since the 1970's - we are the Aerial Platform Experts. The 12 SSI is a an entry level unit which is rated to 44KV insulation.

Our versatile design makes the 12 SSI a good choice for working on live line electrification projects where gloving work is required.

SCE is ISO 9001:2015 accredited and the 12 SSI has been designed and manufactured according to SANS 16368.

Smith Capital LME Registration #246.

As per OHS Act DMR18, all Aerial Platforms are required to be load tested annually.

## Overview of Specifications

|                           |                |
|---------------------------|----------------|
| Working height            | ± 12,5 m       |
| Bottom of floor height    | ± 11 m         |
| Side reach to basket edge | 5 m            |
| Capacity SWL              | 250 kg         |
| Number of jacks / type    | 4 / Vertical   |
| Upper controls            | Remote Control |
| GVM (minimum)             | 6 000 kg       |



- Low maintenance unit, lower running costs.
- Leveling rods - maintains basket in level position for safety and ease of operation.
- Operated by Radio remote system which includes emergency stop and the Stop Start feature which allows control of the truck engine.
- Stabilizer outrigger jacks (4 per vehicle) fitted with interlocks - once again, your safety in emergencies.
- Automatic grease lubrication system for slew bearing.

44 KV

