



A Proudly Level 2 Majority BWO BBBEE Company
+27 31 700 1221 • www.smithcapital.co.za

a subsidiary of



ISIPHO CAPITAL
HOLDINGS

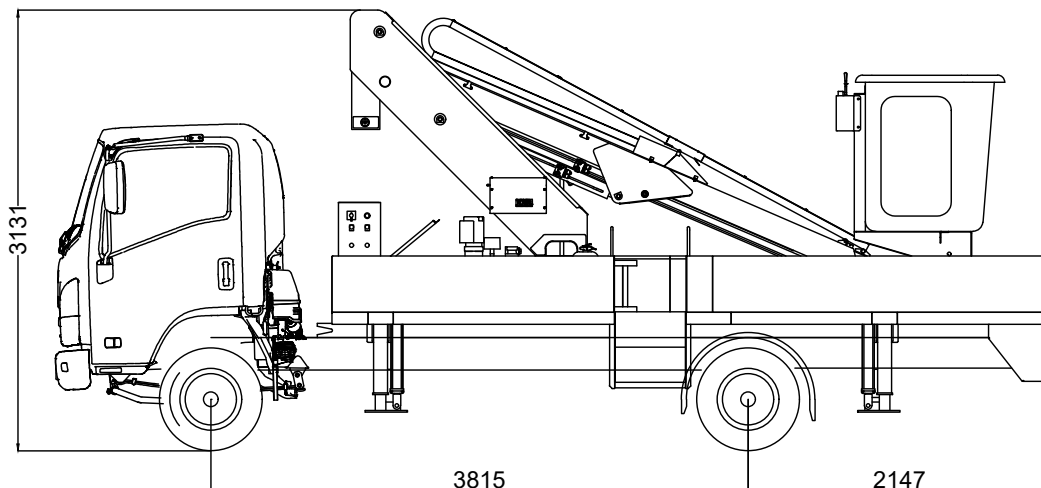
Specifications for SCE Aerial Platform

SL T120 on a Single Cab 4 Ton Truck

1 Boom | Telescopic | 2 Man



**Our T120 has a 12m working height rated at 250kg SWL.
It has a side reach of 6,5m (to edge of basket) at 5m working height.**



Typical Dimensions - actual dimensions are vehicle dependant.

References and Heritage

SCE has been designing and manufacturing Aerial Platforms since the 1970's - we are the Aerial Platform Experts. The SL T120 is a Value for Money Solution - helping you get up and running as quickly as possible. Our versatile design makes the SL T120 perfect for many applications, from electrical contracting to tree felling, and more!

SCE is ISO 9001:2015 accredited and the SL T120 has been designed and manufactured according to SANS 16368. Smith Capital LME Registration #246. As per OHS Act DMR18, all Aerial Platforms are required to be load tested annually.

Overview of Specifications

Working height	± 12 m
Bottom of floor height	± 10,5 m
Side reach to basket edge	6,5 m
Capacity SWL	250 kg
Number of jacks / type	4 / Vertical
Upper controls	Hyd. In-Basket
Lower controls	Turret
GVM (minimum)	6 000 kg



- Upper and lower control valves - we meet all current safety requirements as per laws in South Africa.
- Stabilizer outrigger jacks (4 per vehicle) fitted with interlocks - once again, your safety in emergencies.
- Electrical emergency backup pump as standard.
- Emergency stop as standard.
- Stop Start from bucket as standard.
- Full service and maintenance backup throughout South Africa.
- "Dead man" type levers in basket prevents accidental movement.
- Designed and manufactured according to SANS 16368.
- 1,5 m back swing and no elbow eliminates dangerous projections into passing traffic.

